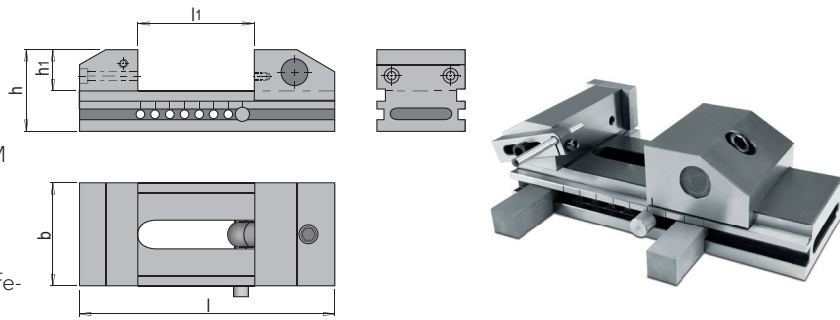




PRODUCT DESCRIPTION

- » For horizontal, vertical and lateral milling, grinding, inspection and EDM work
- » Stainless steel version especially well suited for use on wire EDM machines
- » Precision-ground to exact angles (knife-edge accuracy) on all sides
- » Pull-down effect prevents lifting of the workpiece
- » Angle accuracy and parallelism of 0.003/100 mm
- » Actuation via hexagon key and quick adjustment via stub shaft



MATERIAL

- » Corrosion resistant steel, approx. 55 HRC

INCLUDED IN THE DELIVERY

- » Includes clamping claws, clamping key, adjustable and fixed stops

Wt.	h	h1	l	l1	SK ¹⁾	b	No.	EUR
2.8 kg	56	28	175	80	5	60	HWS 512/ 60	<>
5.8 kg	75	40	220	100	10	75	HWS 512/ 75	<>
10.9 kg	87	45	260	120	15	100	HWS 512/100	<>
19.8 kg	100	50	330	160	20	125	HWS 512/125	<>

1) SK: clamping force [kN]