

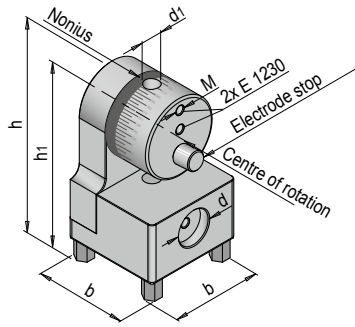


**PRODUCT DESCRIPTION**

- » Compatible with ITS-50
- » Original reference elements
- » Removable electrode stop for repeatable clamping of the electrode
- » Bore hole Ø8mm centred to the system

**MATERIAL**

- » 1.2083



M	h	h1	b	d	d1	No.	EUR
M5	90	70	52.5	18	8	HER 1190/8	<>