

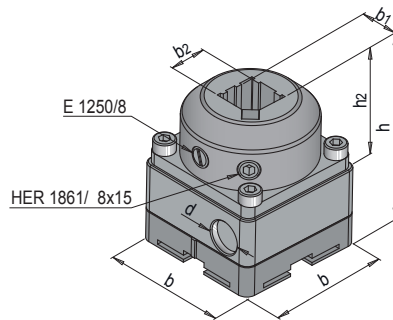


PRODUCT DESCRIPTION

» Original reference elements

MATERIAL

» 1.2083, hardened



b	d	h	h2	b1	b2	No.	EUR
54	13	61.5	29	15	15	HER 1212/15	<>
54	13	67.5	35	25	25	HER 1212/25	<>