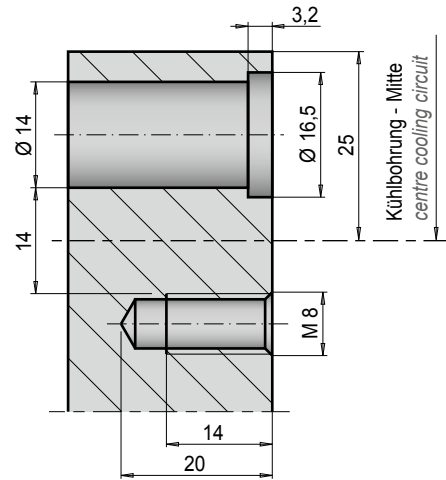
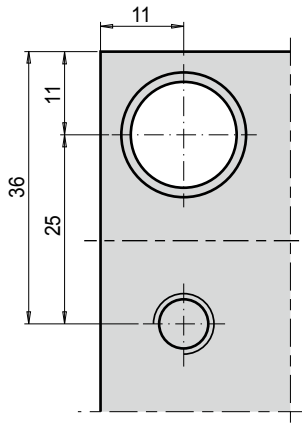
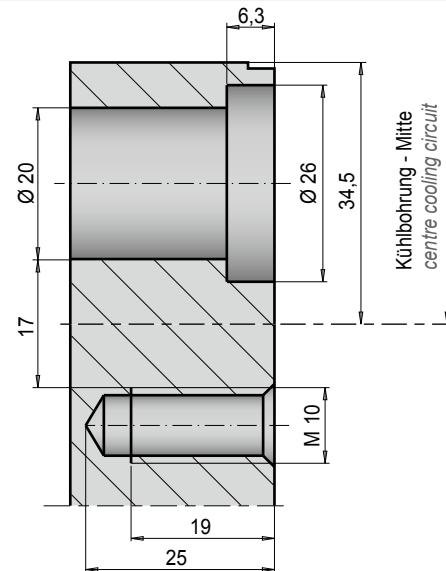
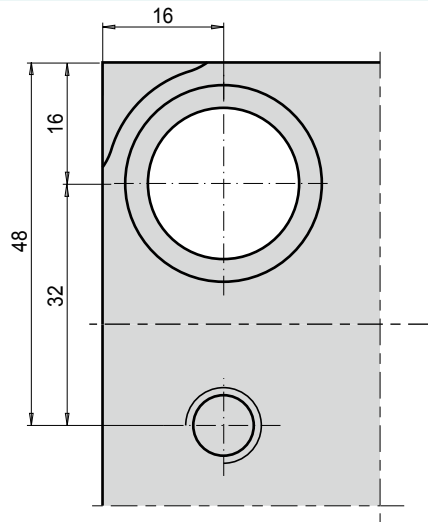


STICHMASS COORDINATES

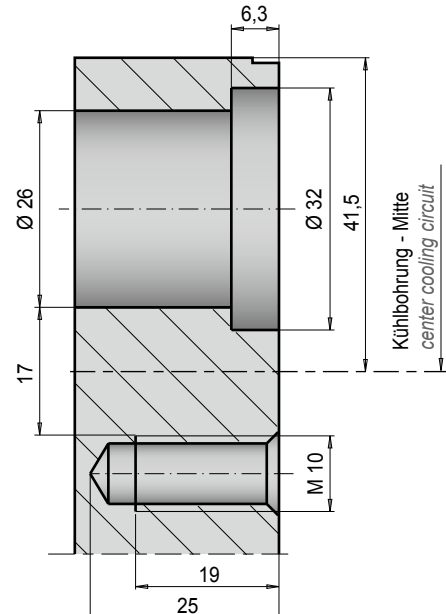
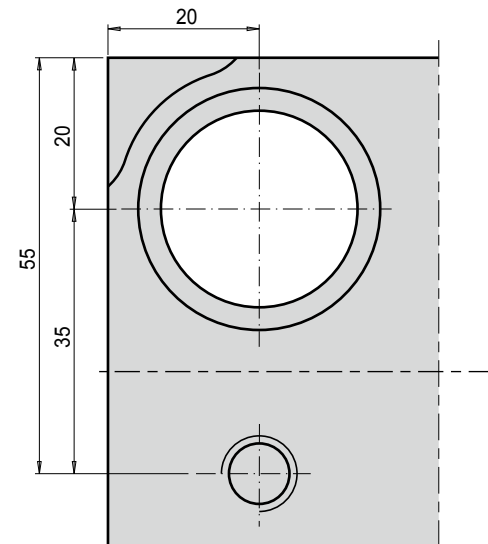
Ø 14 / M 8



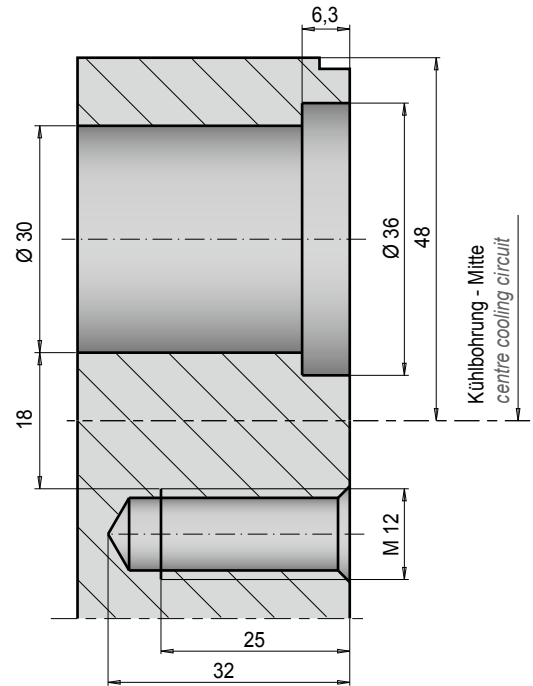
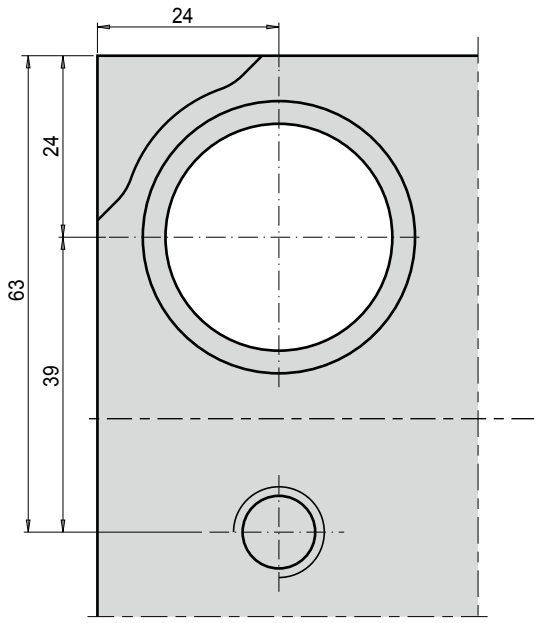
Ø 20 / M 10



Ø 26 / M 10



Ø 30 / M 12



Ø 42 / M 16

