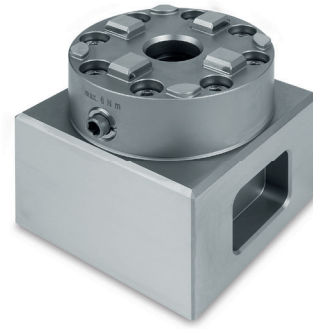
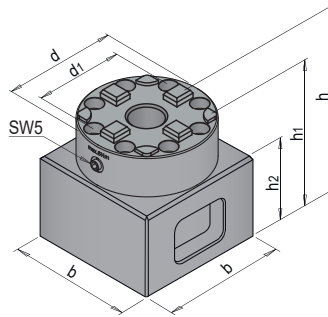




System 1

### PRODUCT DESCRIPTION

- » Vertical and horizontal mounting on the machine table possible
- » 3 sides ground
- » HER 1912 clamping spigot WEDM for clamping operations required
- » Max. tightening torque 6 Nm



### MATERIAL

- » 1.2083

d	d1	b	h	h1	h2	No.	EUR
75	60	80	83	80	53	HER 3535/75	<>